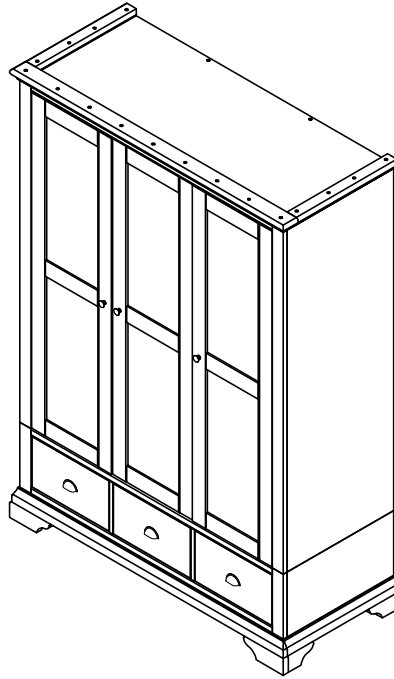


# HAMPSTEAD TRIPLE WARDROBE

Stock number: 800X-83

Thank you for purchasing this product. Please read the instructions carefully before use to ensure safe and satisfactory operation of this product.



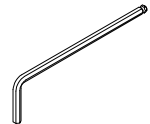
## Pre-assembly preparation

Please ensure instructions are read in full before attempting to assemble this product.

## Necessary Tools



(Included)



Please check the pack contents before attempting to assemble this product. A full checklist of components is given in this leaflet. If any components are missing, please contact the retailer from whom you bought this product.

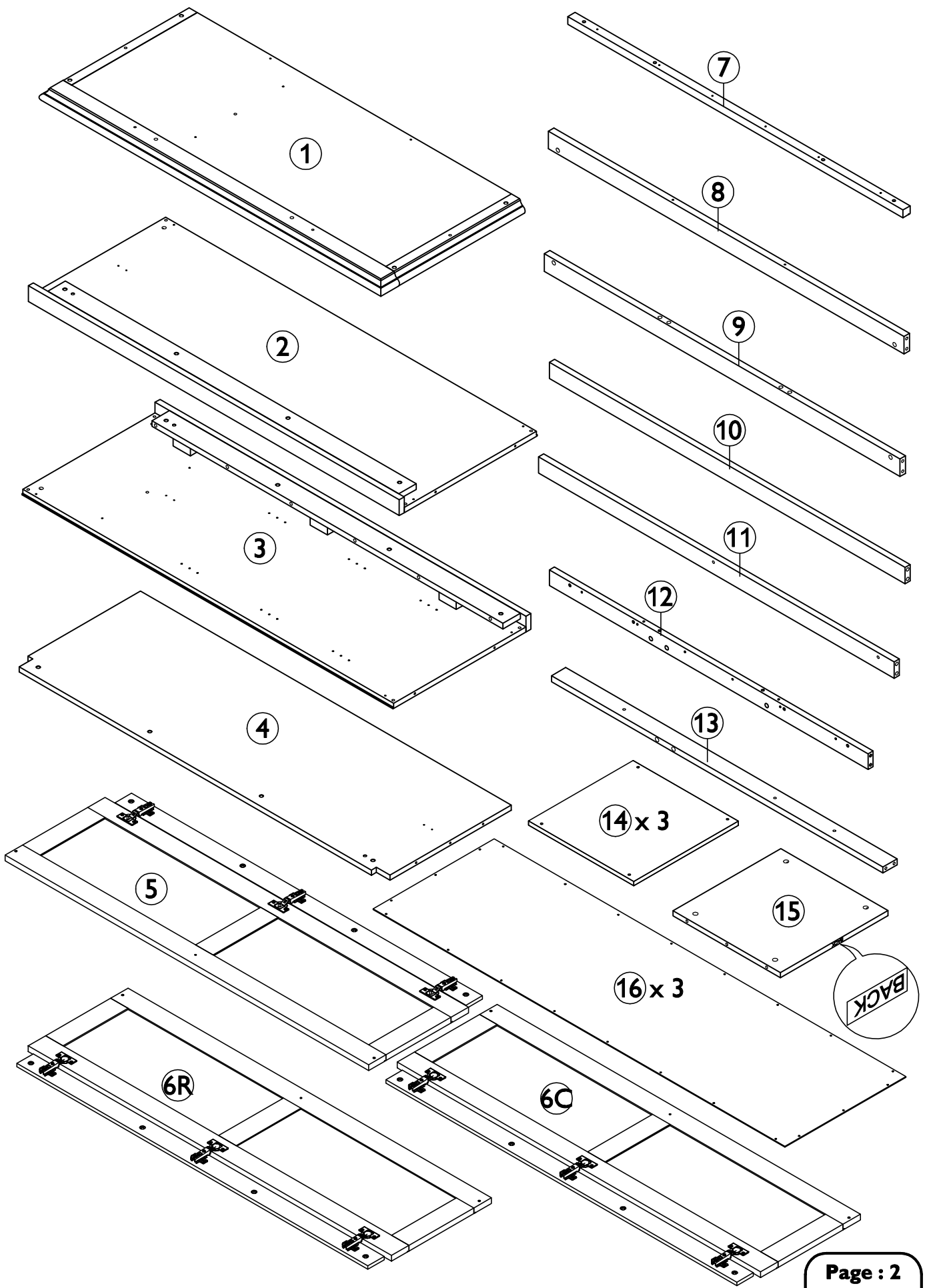
This product takes approximately **60 MINUTES** to assemble with **2 PEOPLE**.

All assembly should be performed on a flat, stable, clean and soft surface.

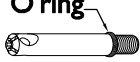
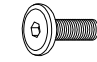

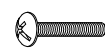
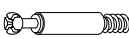



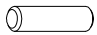



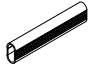
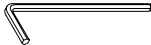
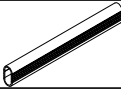


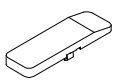

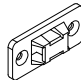




This product is **HEAVY**, it should be assembled as near as possible to the point of use. **TAKE CARE WHEN LIFTING** to avoid personal injury and (or) damage to the product

The fitting pack contains **SMALL ITEMS** which should be **KEPT AWAY FROM YOUNG CHILDREN**.

**IMPORTANT:** Retain these instructions for future reference.



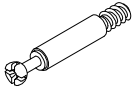
# Fittings and parts checklist Triple Wardrobe Top

Item	Description	Qty.		Item	Description	Qty.
1	Top panel	x 1		9	Top back rail	x 1
2	Left side panel	x 1		10	Left vertical rail	x 1
3	Right side panel	x 1		11	Right vertical rail	x 1
4	Partition	x 1		12	Top front rail	x 1
5	Left door	x 1		13	Bottom front rail	x 1
6R	Right door	x 1		14	Adjustable shelf	x 3
6C	Center door	x 1		15	Fixed shelf	x 1
7	Top rail	x 1		16	Back panel	x 3
8	Bottom back rail	x 1				
<hr/>						
A	Steel dowel	 x 4		N	Hex head bolt M6x20mm	 x 12
B	Grub screw	 x 4		O	Round head bolt M4x30mm	 x 3
C	Cam screw	 x 14		P	Varianta screw Ø4.2x10.5mm	 x 8
D	Cam lock	 x 14		Q	Round head screw Ø4x15mm	 x 66
E	Dowel Ø8x30mm	 x 29		R	Round head screw Ø4x25mm	 x 4
F	Hanger rail support	 x 4		S	Round head screw Ø4x30mm	 x 6
G	Short hanger rail	 x 1		T	Allen key	 x 1
H	Long hanger rail	 x 1		U	Round head screw Ø4x40mm	 x 2
J	Wood shelf support	 x 12		V	Hinge cover cap	 x 9
K	Knob	 x 3		aa	Mounting plate	 x 2
L	Hex head bolt Ø7x38mm	 x 2		bb	Nylon strap	 x 1
M	Hex head bolt Ø7x50mm	 x 3		cc	Flat head screw Ø4x15mm	 x 2

# Step By Step Assembly Instructions

- Step 1**
- 1.1 : Lay all parts on a flat, stable, clean and soft surface.
- 1.2 : Attach 4x cam screws (C) into the pre-drilled holes on left side panel (2) as shown. Use a screwdriver to turn fittings (C) clockwise to fix.
- 1.3 : Insert 1x dowel (E) into the pre-drilled hole on left side panel (2) as shown.
- 1.4 : Attach 1x hanger rail support (F) onto left side panel (2) using 2x varianta screws (P) as shown. Use a screwdriver to turn fittings (P) clockwise to fix.

Fitting



C x 4



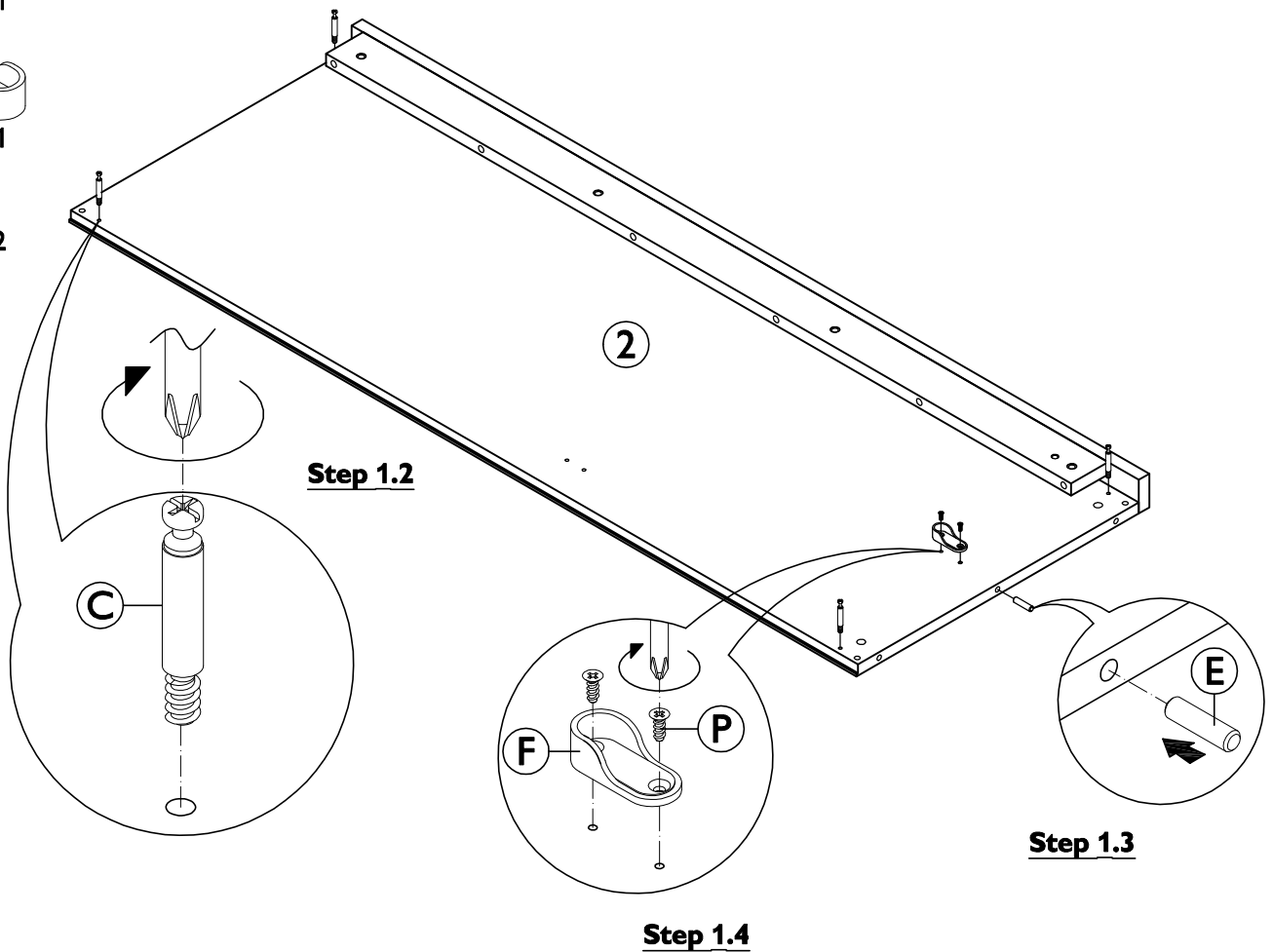
E x 1



F x 1



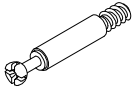
P x 2



# Step By Step Assembly Instructions

- Step 2**
- 2.1 : Attach 6x cam screws (C) into the pre-drilled holes on right side panel (3) as shown. Use a screwdriver to turn fittings (C) clockwise to fix.
- 2.2 : Insert 1x dowel (E) into the pre-drilled hole on right side panel (3) as shown.
- 2.3 : Attach 1x hanger rail support (F) onto right side panel (2) using 2x varianta screws (P) as shown. Use a screwdriver to turn fittings (P) clockwise to fix.

Fitting



C x 6



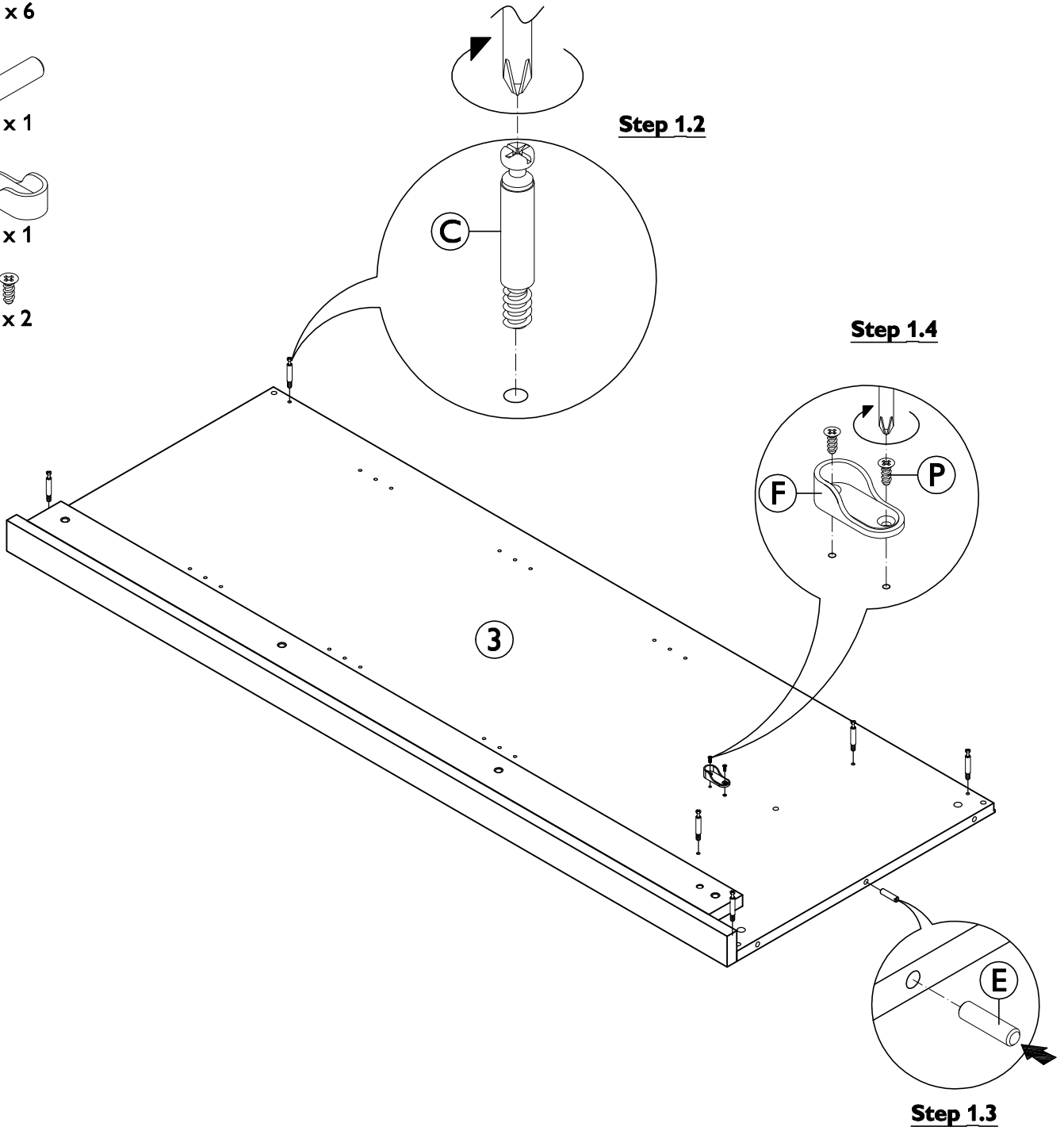
E x 1



F x 1



P x 2

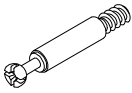


# Step By Step Assembly Instructions

## Step 3

- 3.1 : Attach 2x cam screws (C) into the pre-drilled holes on partition (4) as shown. Use a screwdriver to turn fittings (C) clockwise to fix.
- 3.2 : Insert 3x dowels (E) into the pre-drilled holes on partition (4) as shown.
- 3.3 : Attach 2x hanger rail supports (F) onto partition (4) using 4x varianta screws (P) as shown. Use a screwdriver to turn fittings (P) clockwise to fix.

Fitting



C x 2



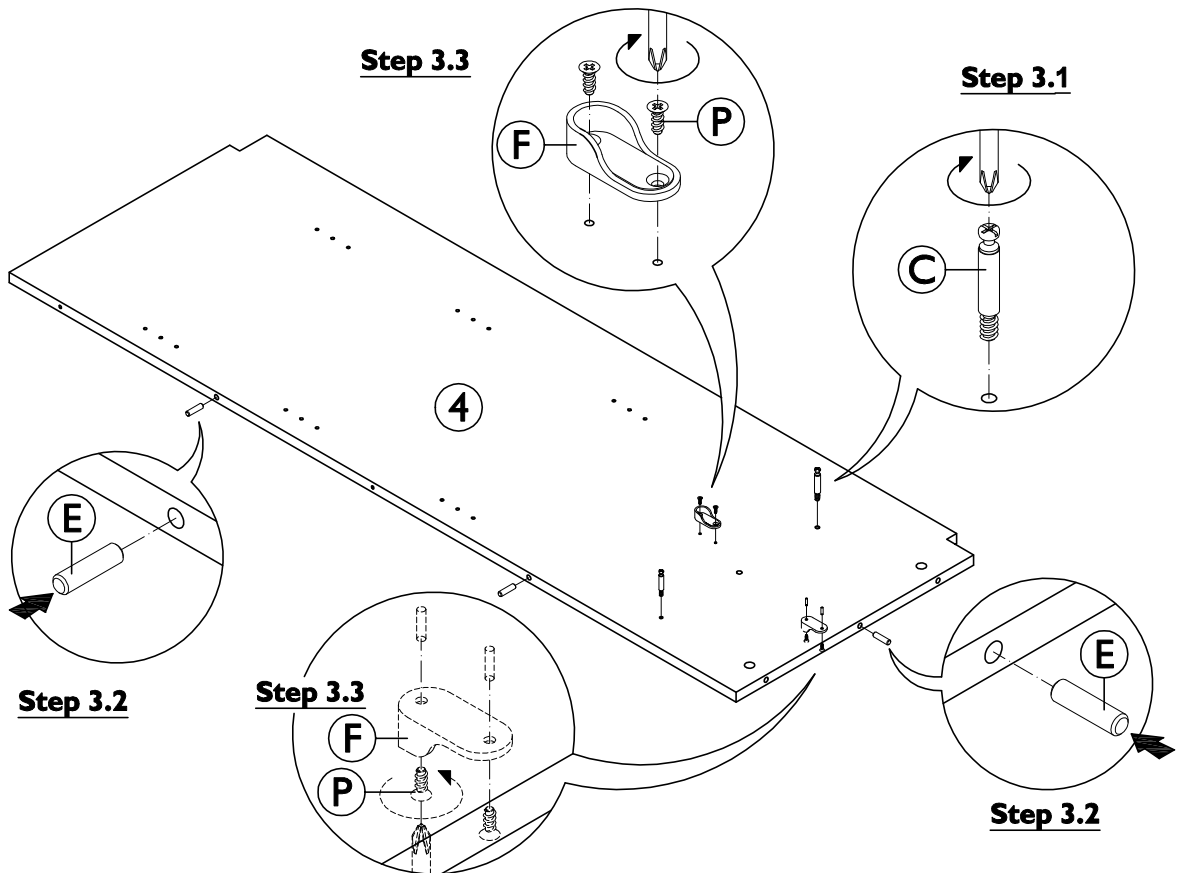
E x 3



F x 2



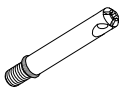
P x 4



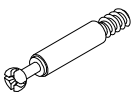
## Step 4

- 4.1 : Attach 4x steel dowels (A) into top panel (1) by screwing fittings (A) into the inset fittings that are located inside top panel (1) as shown. Ensure the direction of the holes on fittings (A) are facing correctly as per diagram. Use a pozi screwdriver to turn fittings (A) clockwise to fix.
- 4.2 : Attach 2x cam screws (C) into the pre-drilled holes on top panel (1) as shown. Use a screwdriver to turn fittings (C) clockwise to fix.

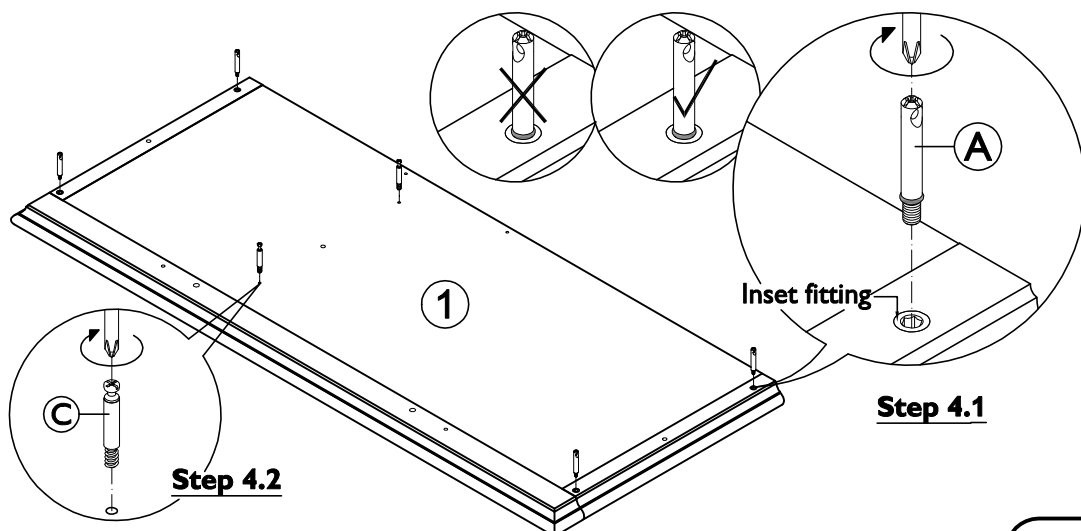
Fitting



A x 4



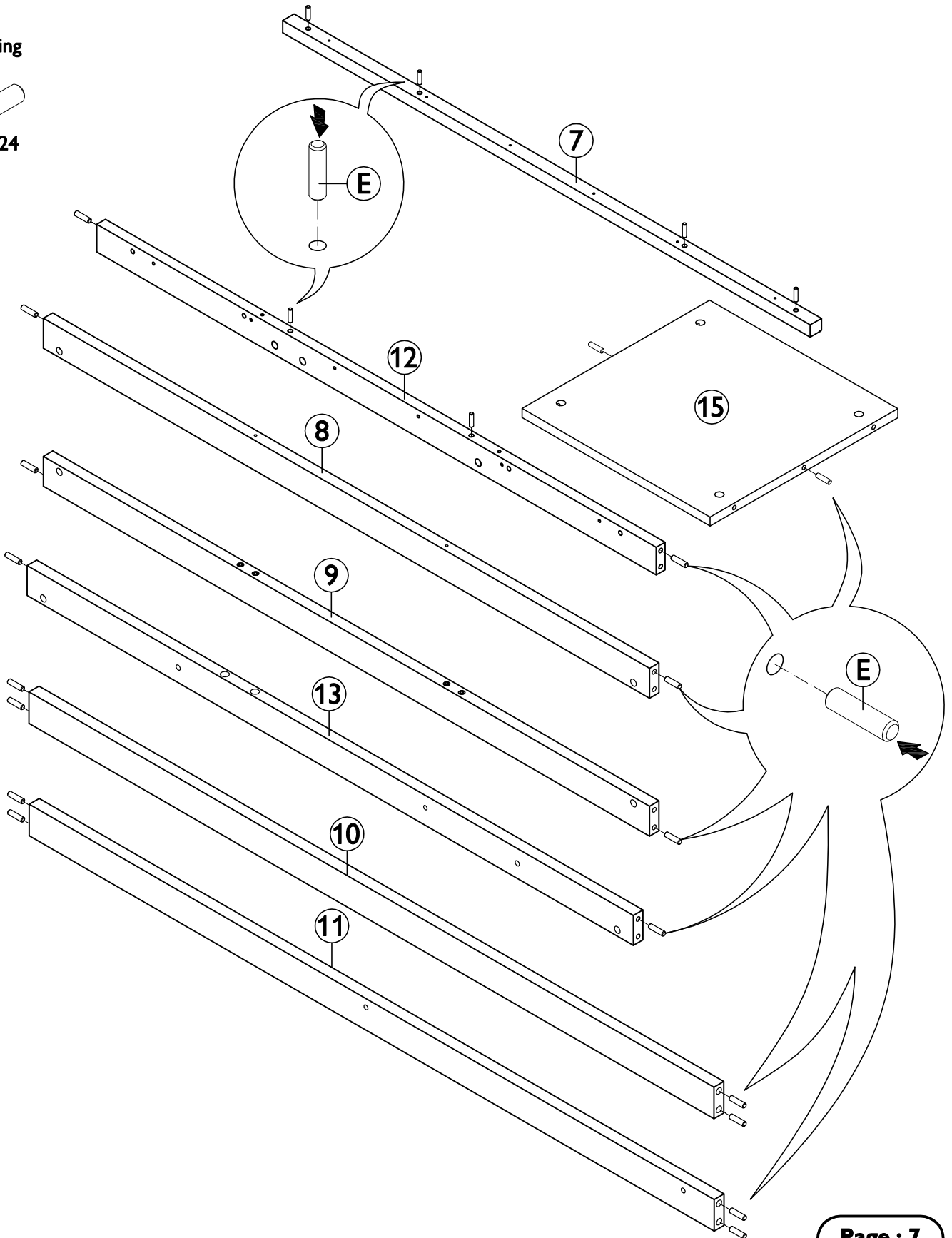
C x 2



# Step By Step Assembly Instructions

**Step 5** : Insert 24x dowels (E) into the pre-drilled holes on rails (7), (8), (9), (10), (11), (12) & (13) and fixed shelf (15) as shown.

Fitting

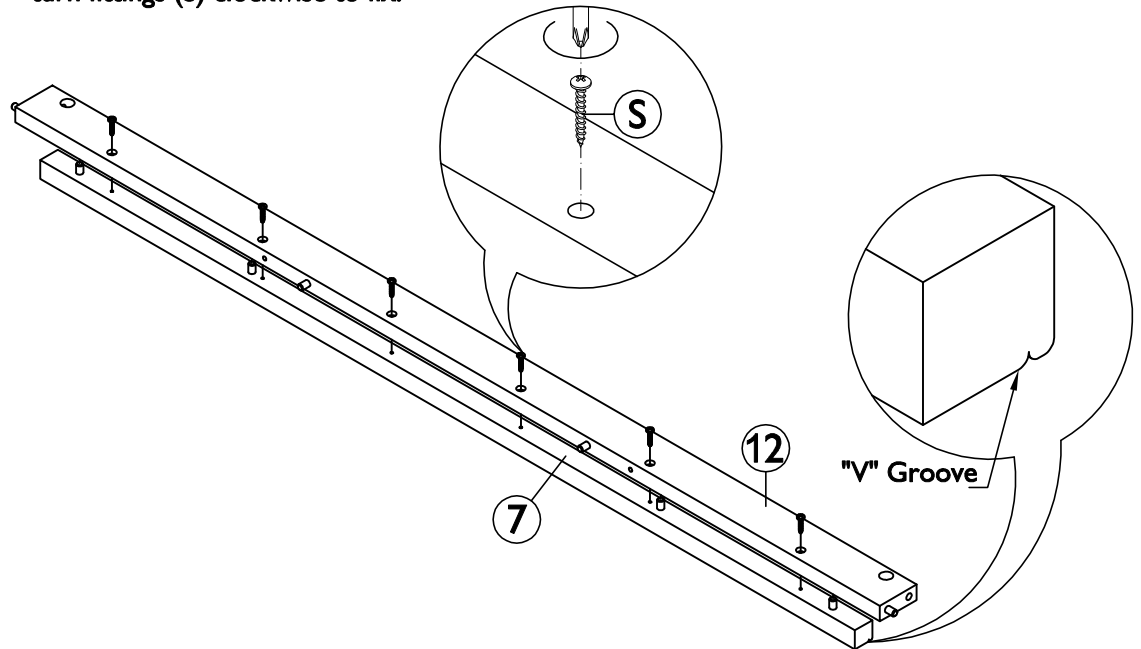


# Step By Step Assembly Instructions

## Step 6

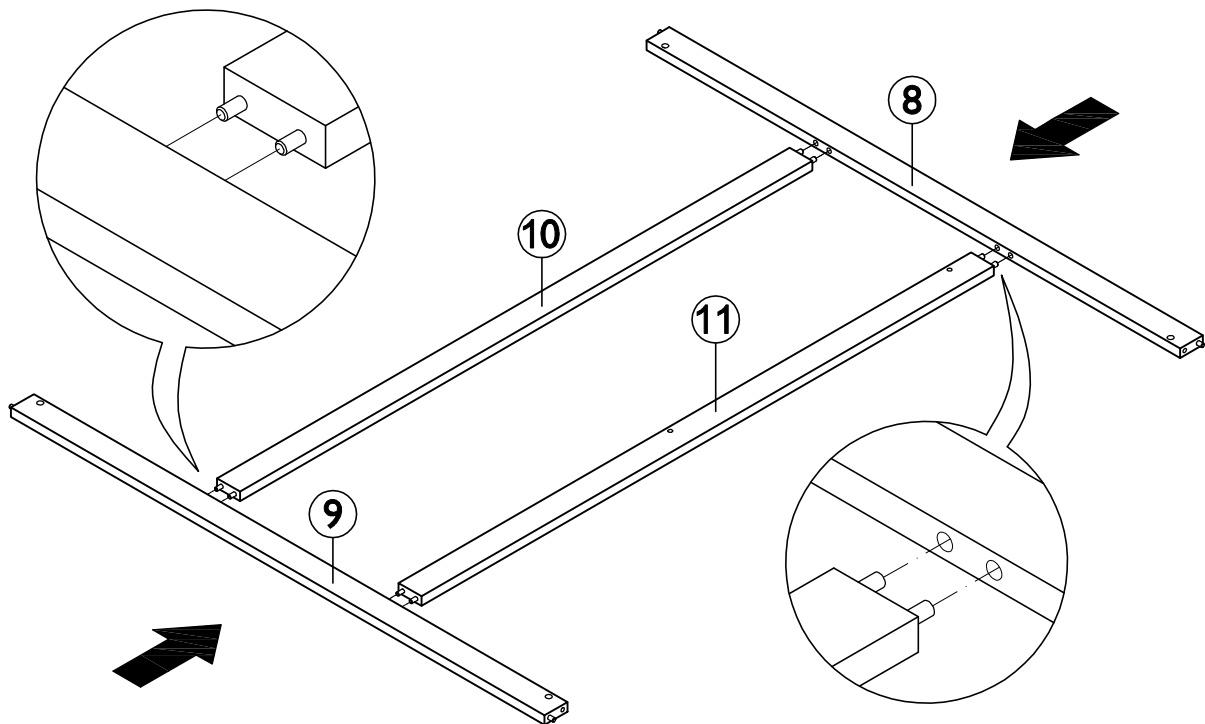
- 6.1 : Attach rail (12) onto rail (7) as shown. Ensure dowels (E) are aligned correctly with the holes of mating parts before attaching.
- 6.2 : Secure part (12) to part (7) using 6x round head screws (S) as shown. Use a screwdriver to turn fittings (S) clockwise to fix.

Fitting



## Step 7

- 7 : Attach rails (8) & (9) onto rails (10) & (11) as shown. Ensure wooden dowels are aligned correctly with the holes of mating parts before attaching.





# Step By Step Assembly Instructions

- Step 8**
- 8.1 : Attach partition (4) onto vertical rail (11) as shown. Ensure dowels (E) are aligned correctly with the holes of mating parts before attaching.
- 8.2 : With help of assistant stand the structure upright.
- 8.3 : Secure partition (4) to vertical rail (11) using 2x hex head bolts (M) as shown. Use allen key (T) to turn fittings (M) clockwise to fix.

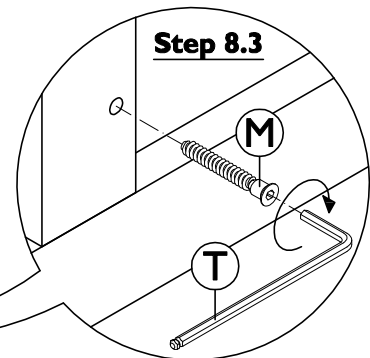
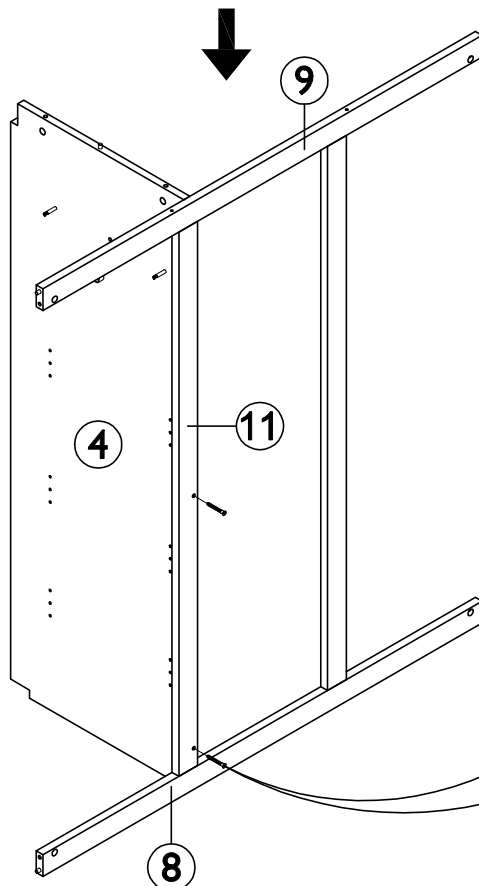
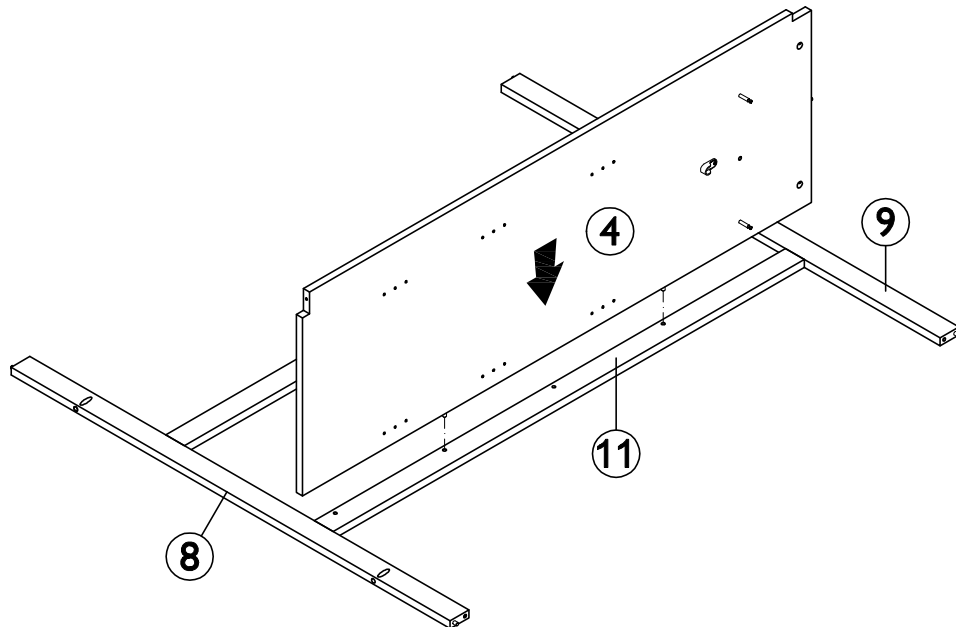
Fitting



M x 2



T x 1



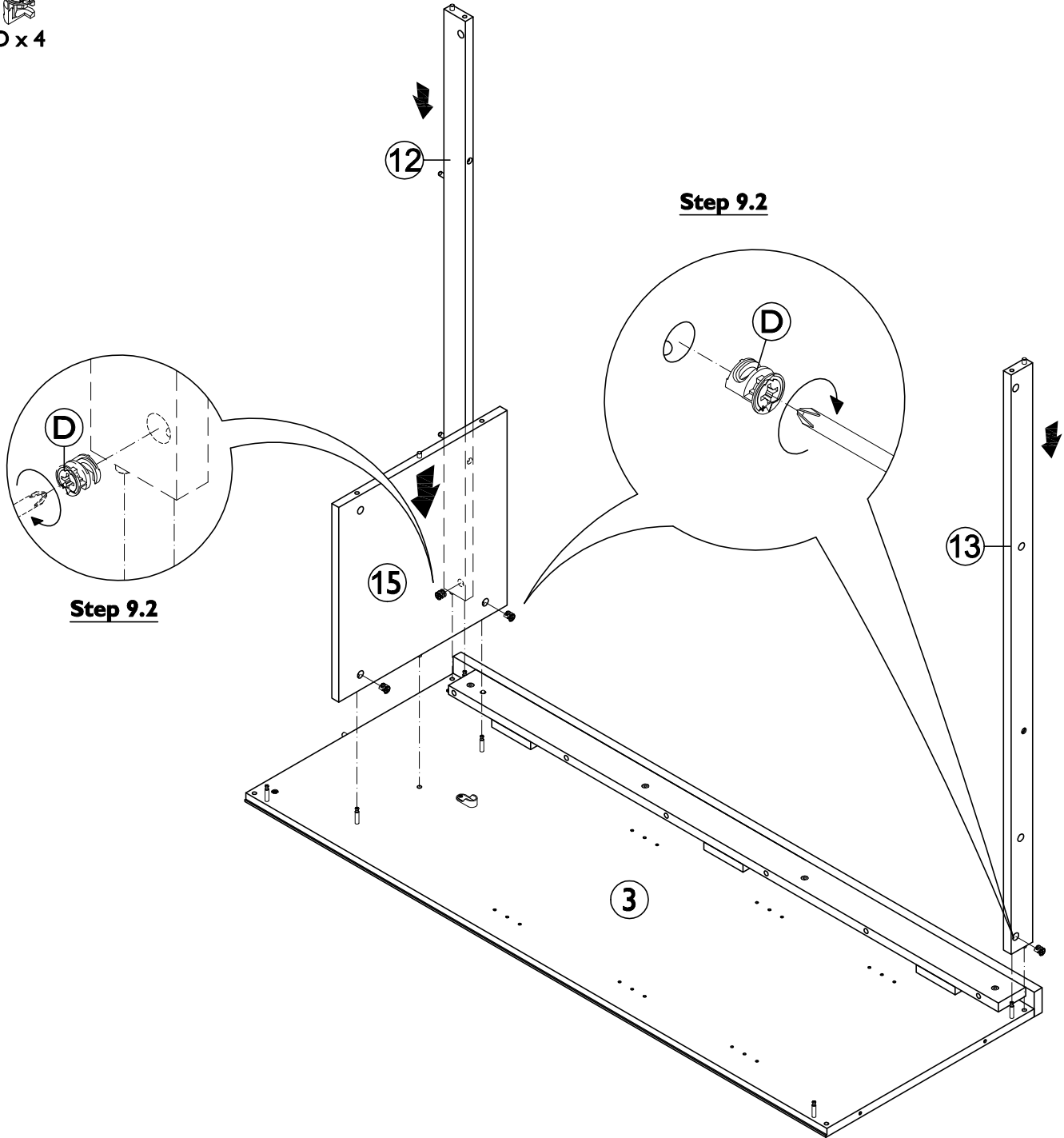
# Step By Step Assembly Instructions

- Step 9**
- 9.1 : Attach rails (12), (13) and fixed shelf (15) onto right side panel (3) as shown. Ensure cam screws (C) and dowels (E) are aligned correctly with the holes of mating parts before attaching.
- 9.2 : Secure all parts (12), (13) and (15) to right side panel (3) using 4x cam locks (D) as shown. Use a screwdriver to turn fittings (D) clockwise to fix.

Fitting



D x 4



# Step By Step Assembly Instructions

**Step 10** 10.1 : Attach the structure assembled in **Step 8** onto the structure assembled in **Step 9** as shown. Ensure cam screws (C) and dowels (E) are aligned correctly with the holes of mating parts before attaching.

Fitting

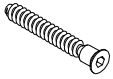
10.2 : Secure rails (8) & (9) to right side panel (3) using 2x cam locks (D) as shown. Use a screwdriver to turn fittings (D) clockwise to fix.

10.3 : Secure partition (4) to fixed shelf (15) using 2x cam locks (D) as shown. Use a screwdriver to turn fittings (D) clockwise to fix.

10.4 : Secure partition (4) to rail (13) using 1x hex head bolt (M) as shown. Use allen key (T) to turn fitting (M) clockwise to fix.



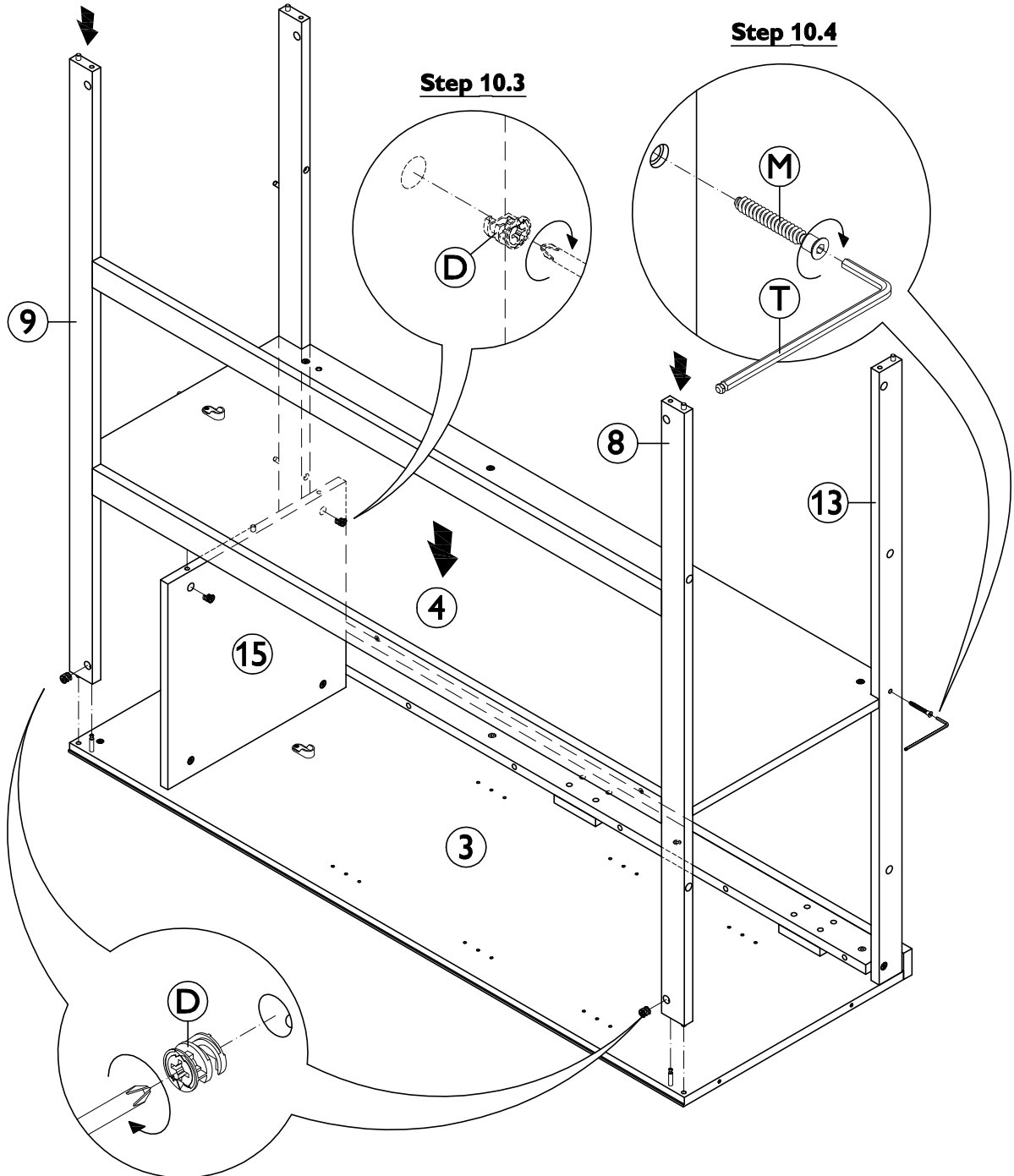
D x 4



M x 1



T x 1



**Step 10.2**

# Step By Step Assembly Instructions

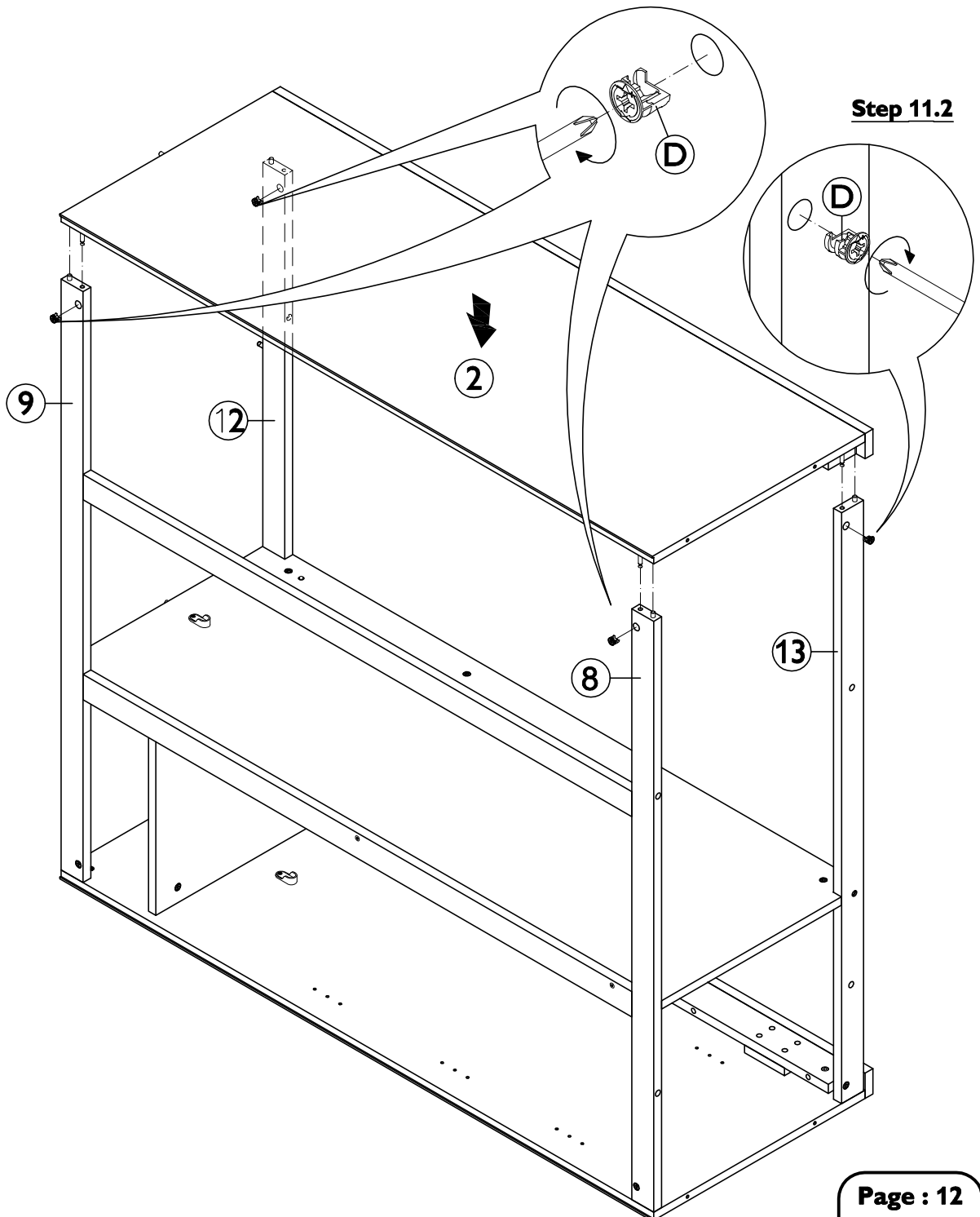
- Step 11** 11.1 : Attach left side panel (2) onto rails (8), (9), (12), and (13) as shown. Ensure cam screws (C) and dowels (E) are aligned correctly with the holes of mating parts before attaching.
- 11.2 : Secure left side panel (2) to all parts (8), (9), (12) and (13) using 4x cam locks (D) as shown. Use a screwdriver to turn fittings (D) clockwise to fix.

Fitting



D x 4

**Step 11.2**



**Page : 12**

# Step By Step Assembly Instructions

**Step 12** 12.1 : Attach top panel (1) onto side panels (2) & (3). Ensure steel dowels (A), cam screws (C) and dowels (E) are aligned correctly with the holes of mating parts before attaching.

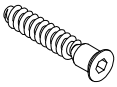
Fitting



B x 4



D x 2



L x 2



T x 1



U x 2

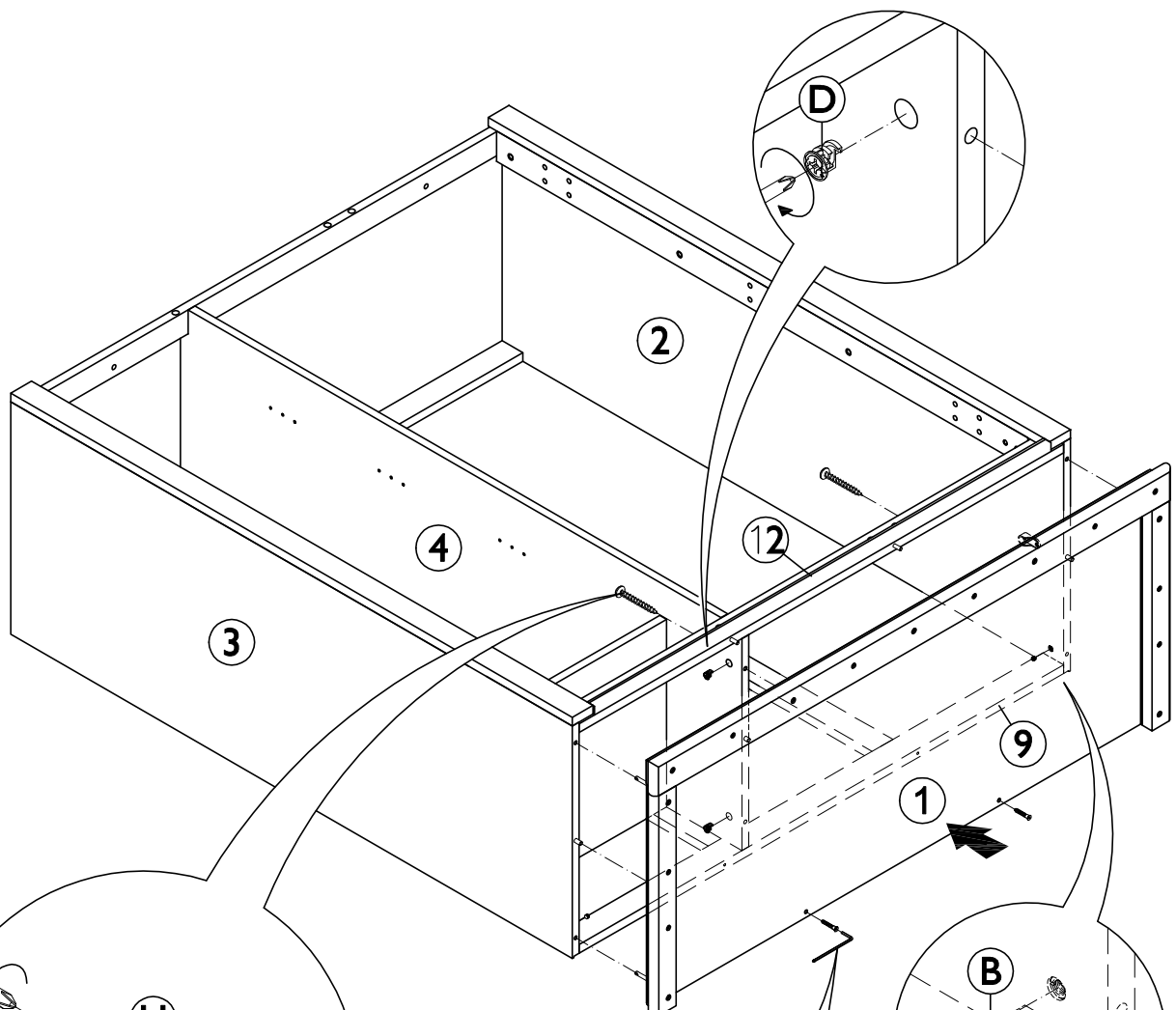
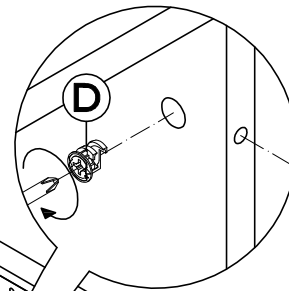
12.2 : Secure top panel (1) to side panels (2) & (3) using 4x grub screws (B) as shown. Use a screwdriver to turn fittings (B) clockwise to fix.

12.3 : Secure top panel (1) to partition (4) using 2x cam locks (D) as shown. Use a screwdriver to turn fittings (D) clockwise to fix.

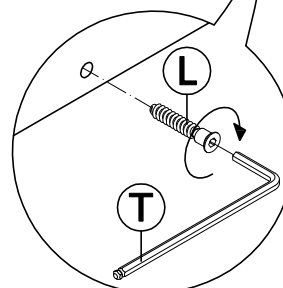
12.4 : Secure top panel (1) to rail (9) using 2x hex head bolts (L) as shown. Use allen key (T) to turn fittings (L) clockwise to fix.

12.5 : Secure rail (12) to top panel (1) using 2x round head screws (U) as shown. Use a screwdriver to turn fittings (U) clockwise to fix.

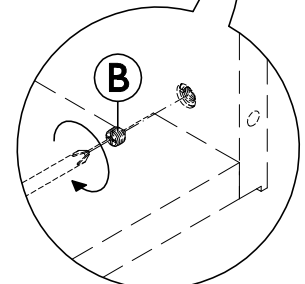
**Step 12.3**



**Step 12.4**



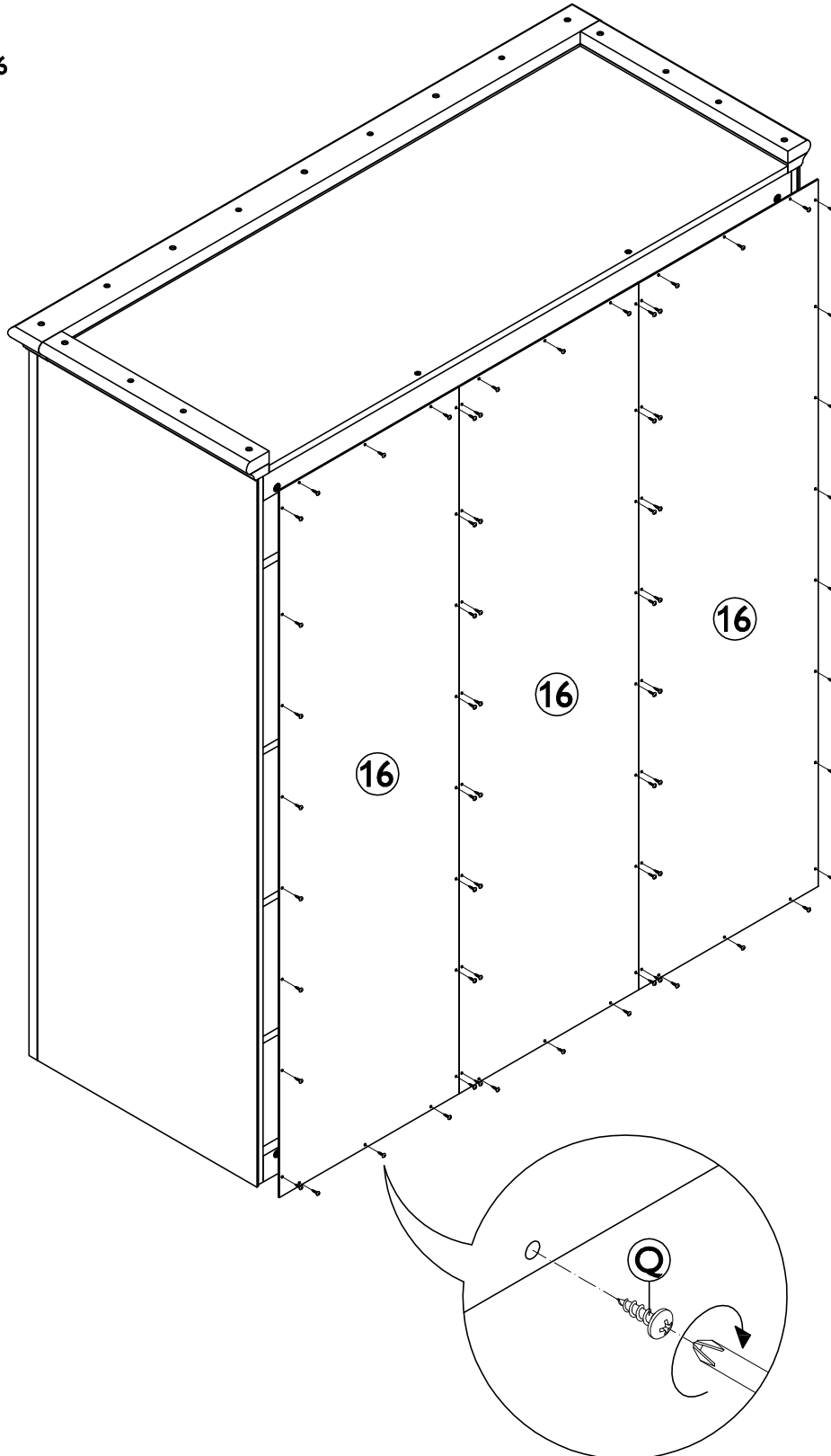
**Step 12.2**



# Step By Step Assembly Instructions

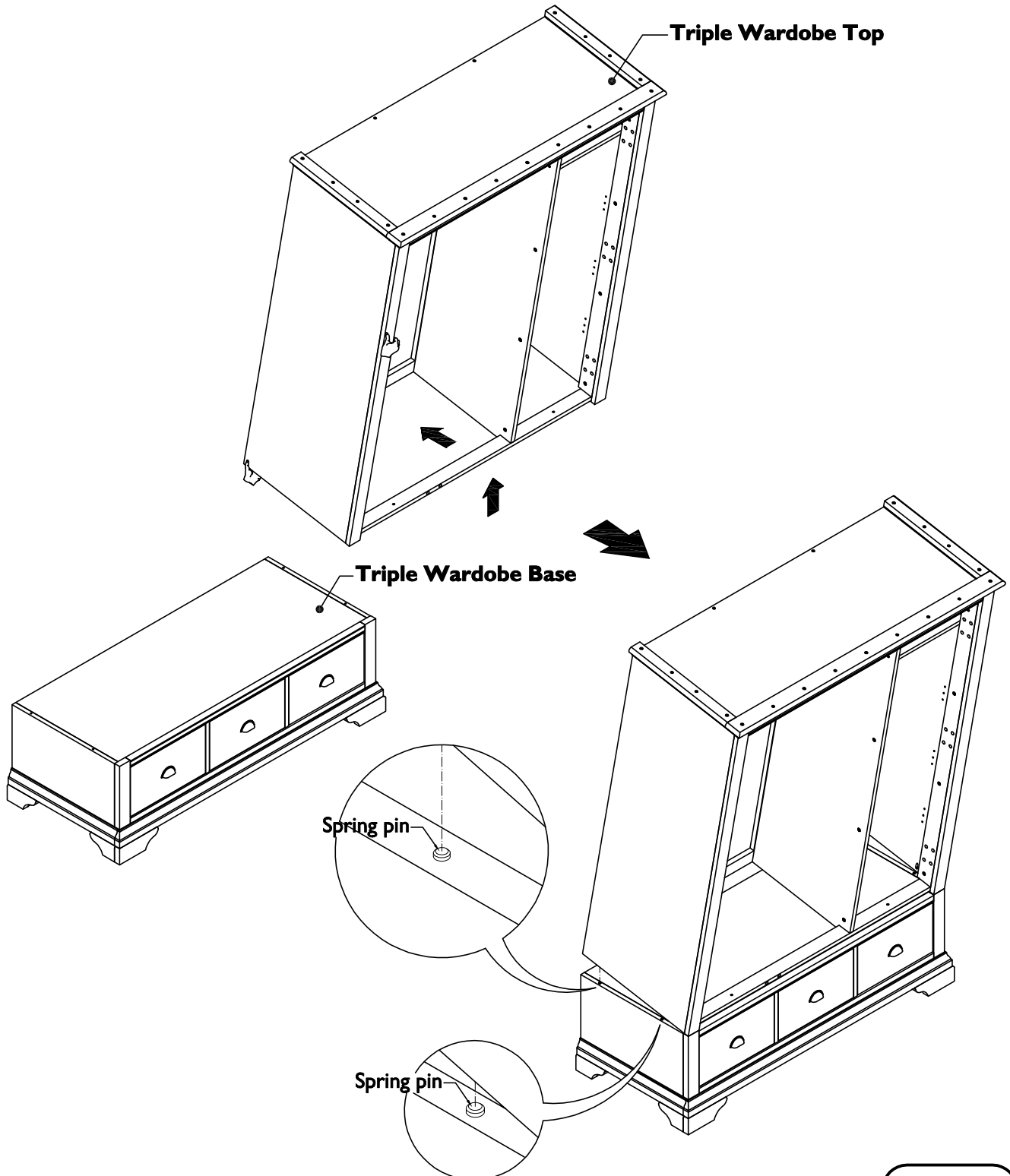
- Step 13** 13.1 : With help of assistant, carefully stand the unit upright.  
13.2 : Secure back panels (16) along outer edges onto back side of the unit using 66x round head screws (Q) as shown. Use a screwdriver to turn fittings (Q) clockwise to fix.

Fitting



# Step By Step Assembly Instructions

- Step 14** **Note:** This product is heavy, it should be assembled as near as possible to the point of use.
- : With help of assistant, carefully lift the triple wardrobe top upwards over the triple wardrobe base.
  - : Carefully lower triple wardrobe top onto triple wardrobe base. Ensure the holes under triple wardrobe top are aligned correctly with the mating spring pins on triple wardrobe base to avoid damage as shown.



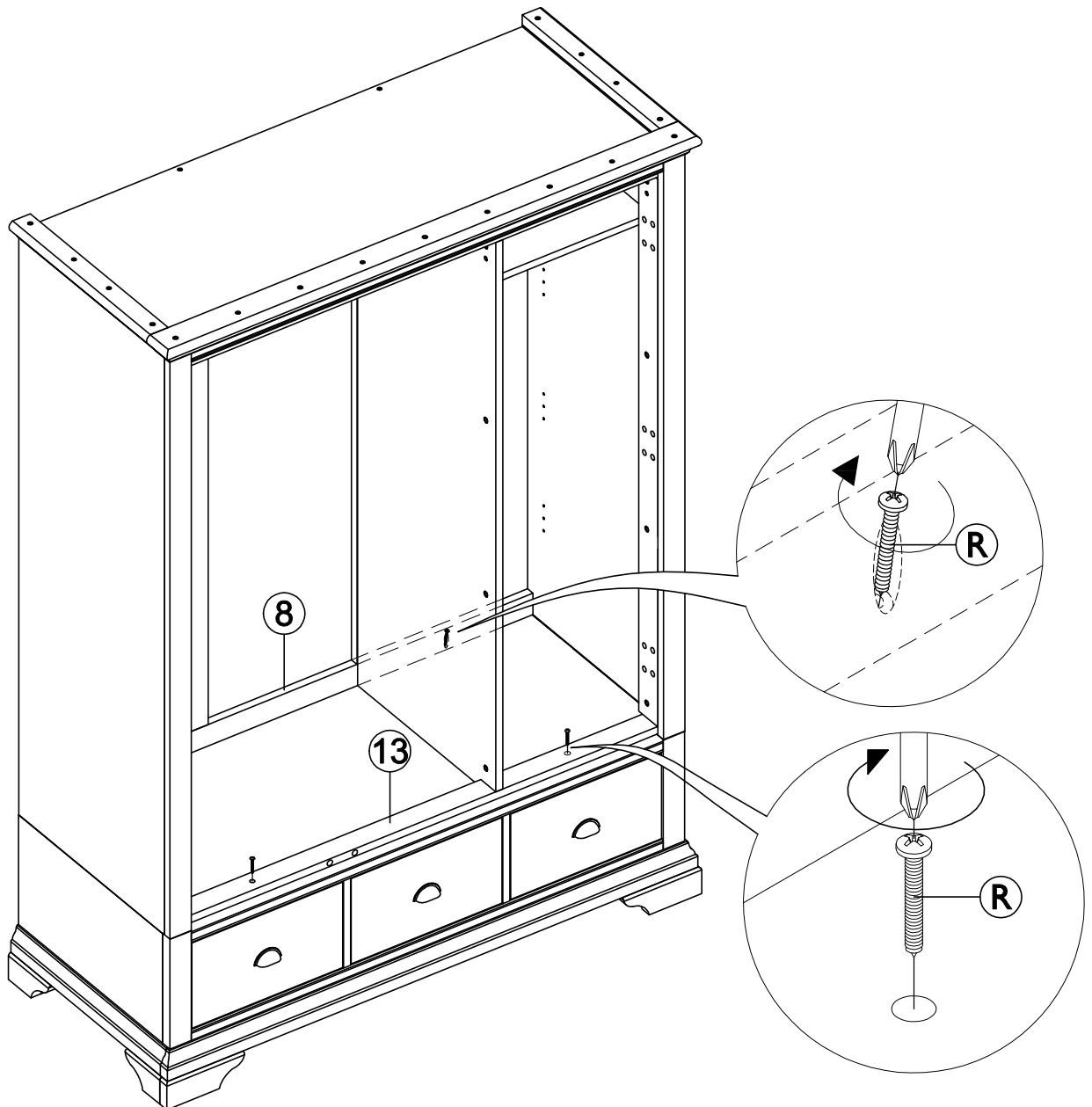
# Step By Step Assembly Instructions

**Step 15** : Secure triple wardrobe top to triple wardrobe base by screwing 4x round head screws (R) into the pre-drilled holes on rails (8) & (13) as shown. Use a screwdriver to turn fittings (R) clockwise to fix.

Fitting



R x 4





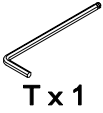
# Step By Step Assembly Instructions

**Step 16** : Attach doors (5) & (6R) to side panels (2) & (3) using 8x hex head bolts (N) as shown. Ensure the holes on doors (5) & (6R) are aligned correctly with the mating spring pins on side panels (2) & (3) to avoid damage. Use allen key (T) to turn fittings (N) clockwise to fix.

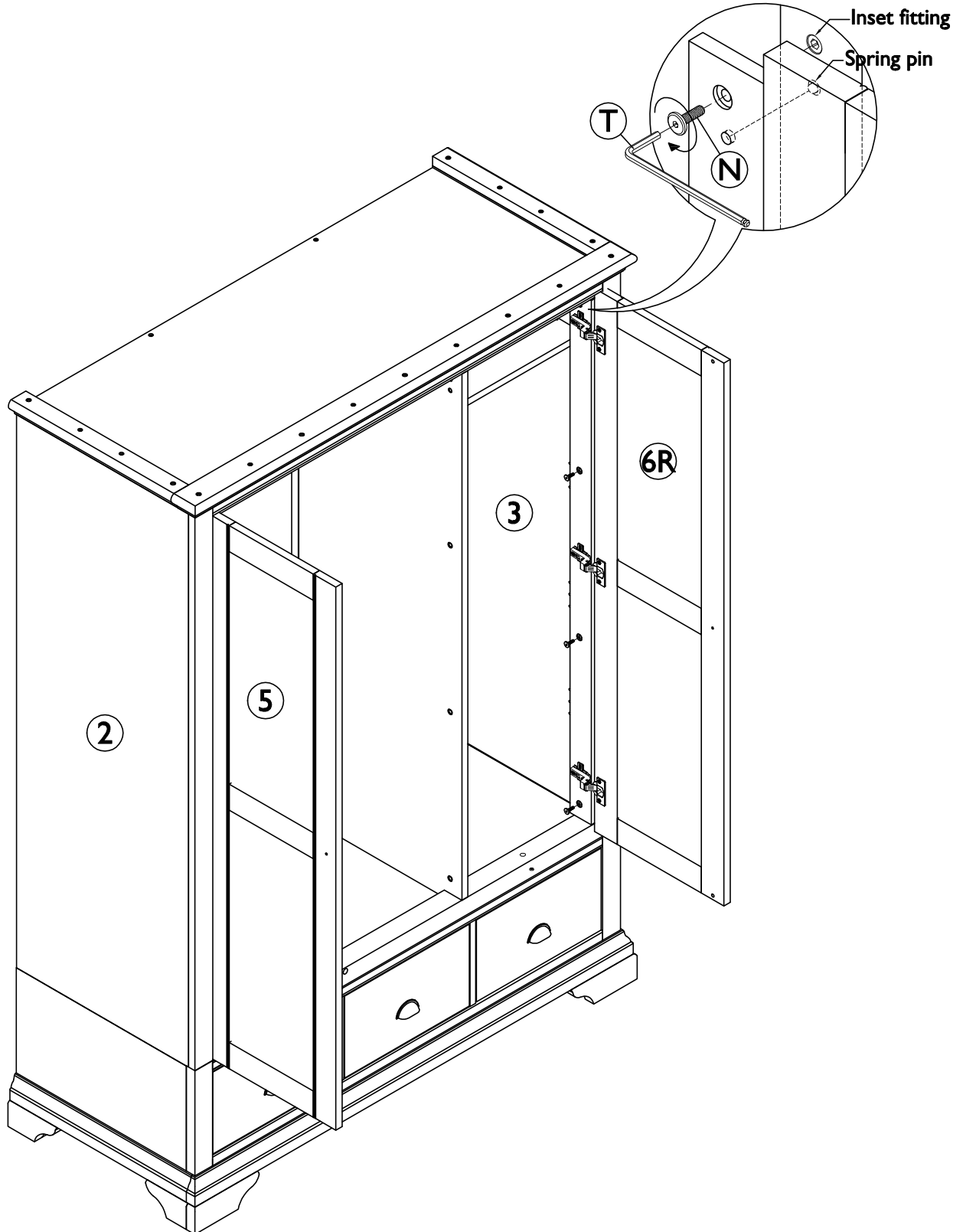
Fitting



N x 8



T x 1



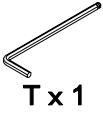
# Step By Step Assembly Instructions

**Step 17** : Attach right door (6C) to partition (4) using 4x hex head bolts (N) as shown. Ensure the holes on door (6C) are aligned correctly with the mating spring pins on partition (4) to avoid damage. Use allen key (T) to turn fittings (N) clockwise to fix.

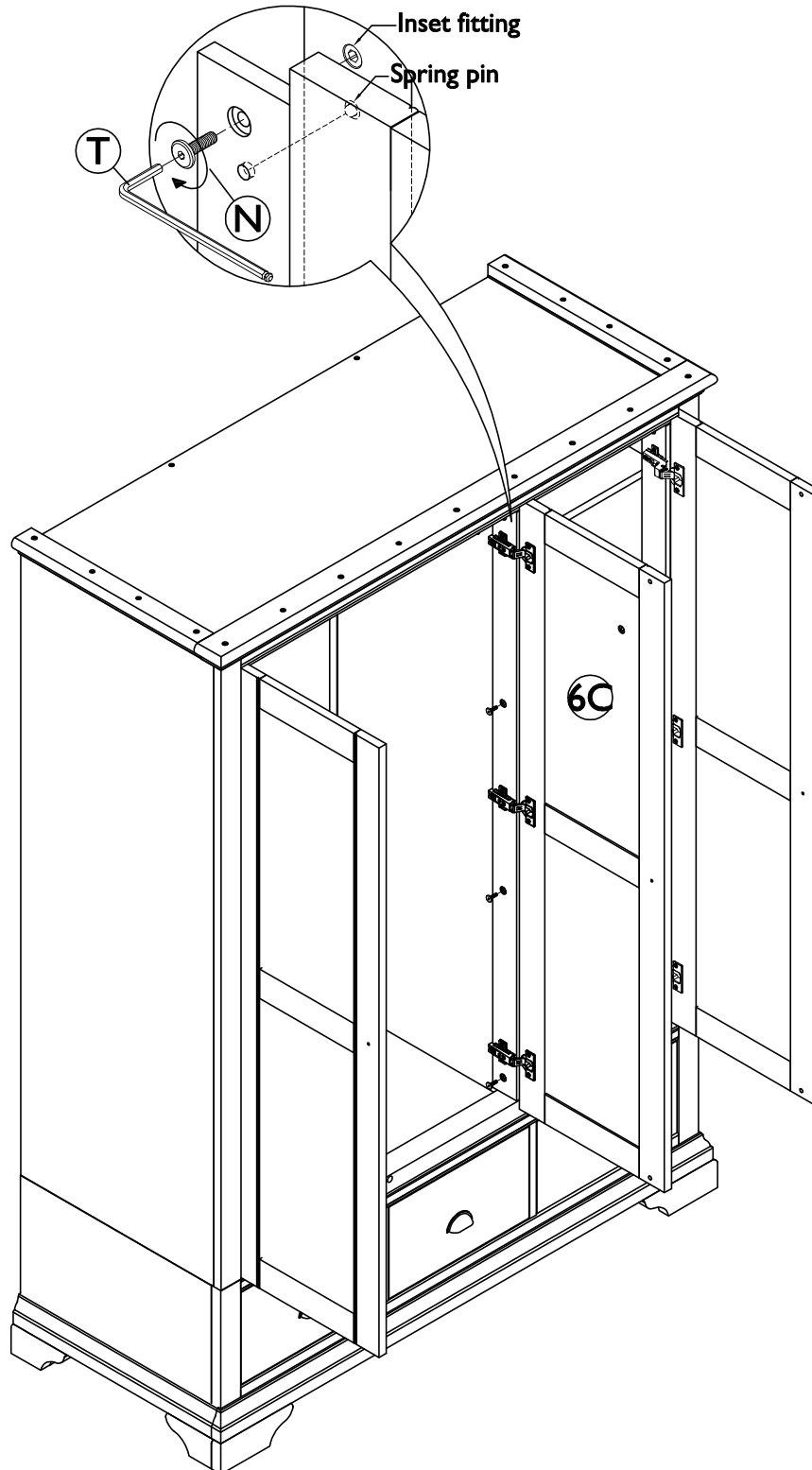
Fitting



N x 4



T x 1



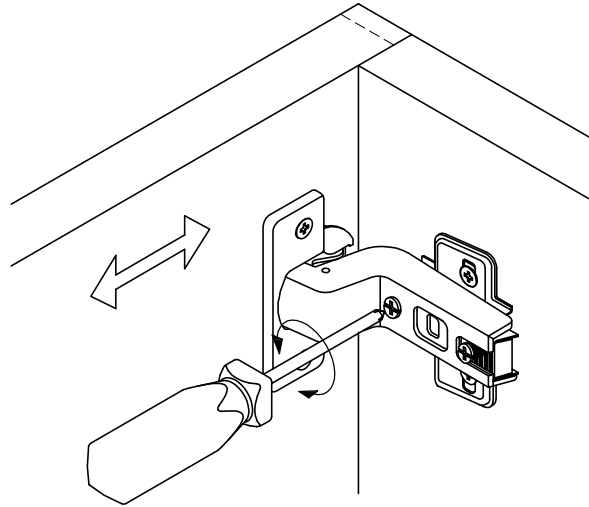
---

# HINGE ADJUSTMENT INSTRUCTIONS

---

## LATERAL ADJUSTMENT

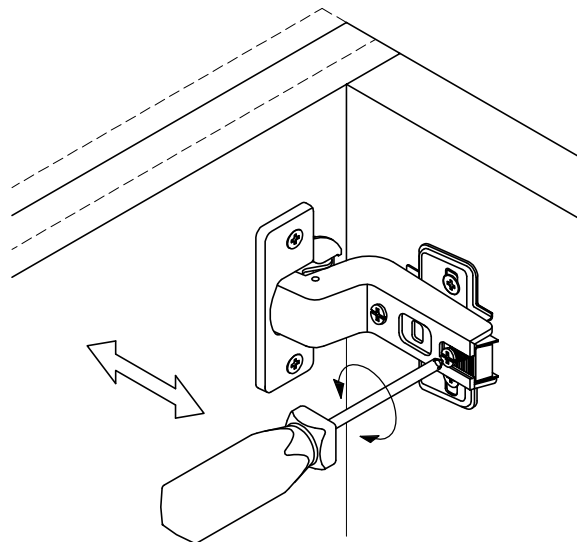
by screw adjustment.



---

## FRONT-TO-BACK

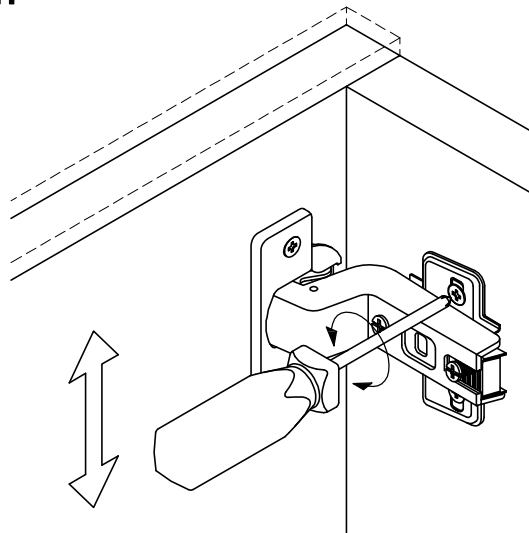
by slackening and retightening the hinge-arm mounting screw.



---

## VERTICAL ADJUSTMENT

via slots on mounting plate by slackening and retightening the screws on mounting plate



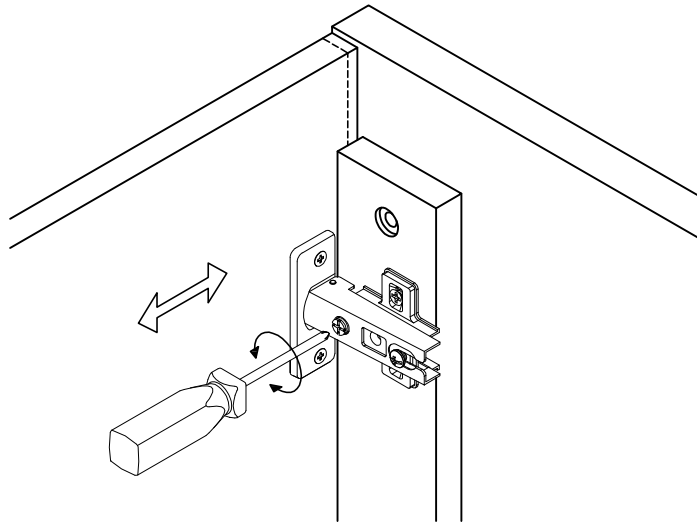
---

# HINGE ADJUSTMENT INSTRUCTIONS

---

## LATERAL ADJUSTMENT

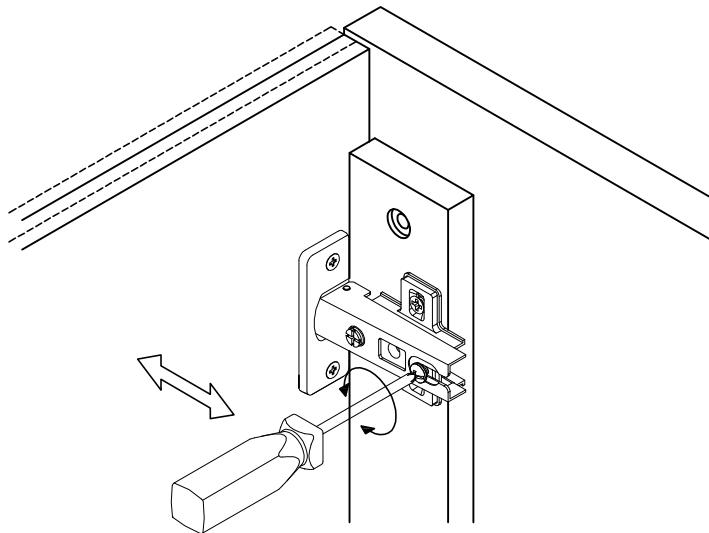
by screw adjustment.



---

## FRONT-TO-BACK

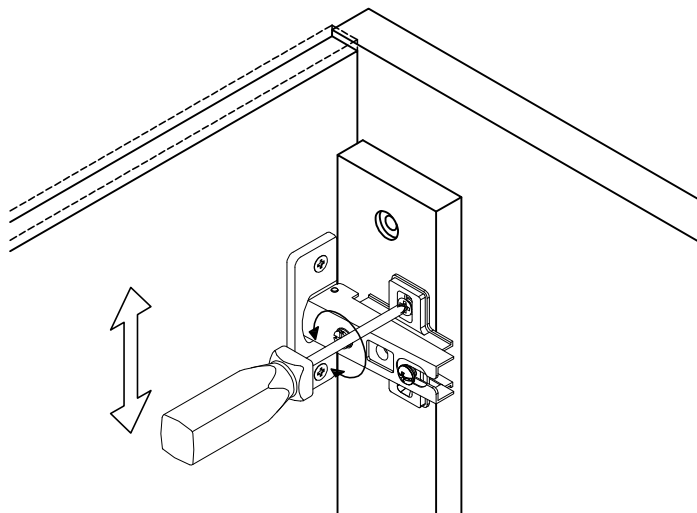
by slackening and retightening the hinge-arm mounting screw.



---

## VERTICAL ADJUSTMENT

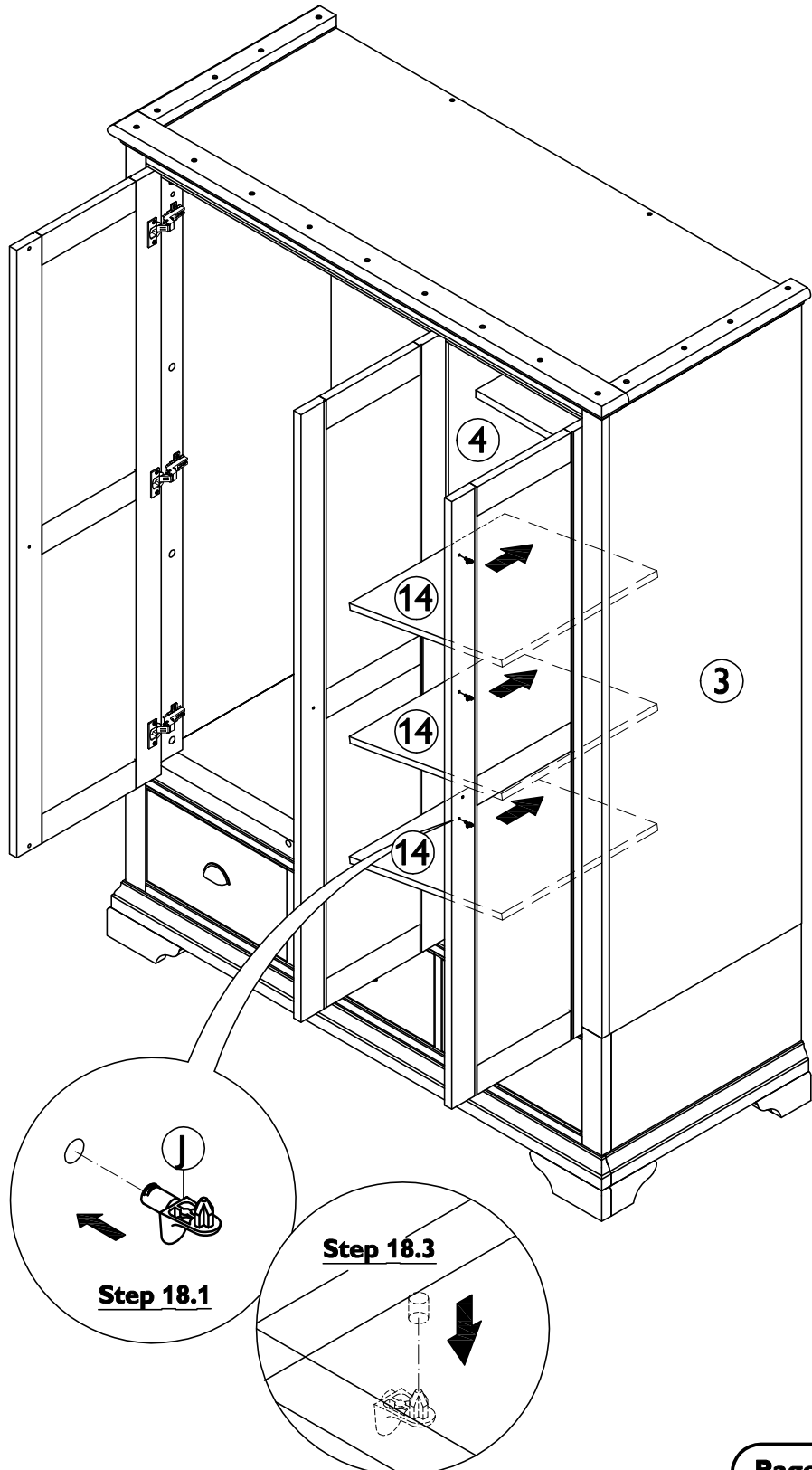
via slots on mounting plate by slackening and retightening the screws on mounting plate



# Step By Step Assembly Instructions

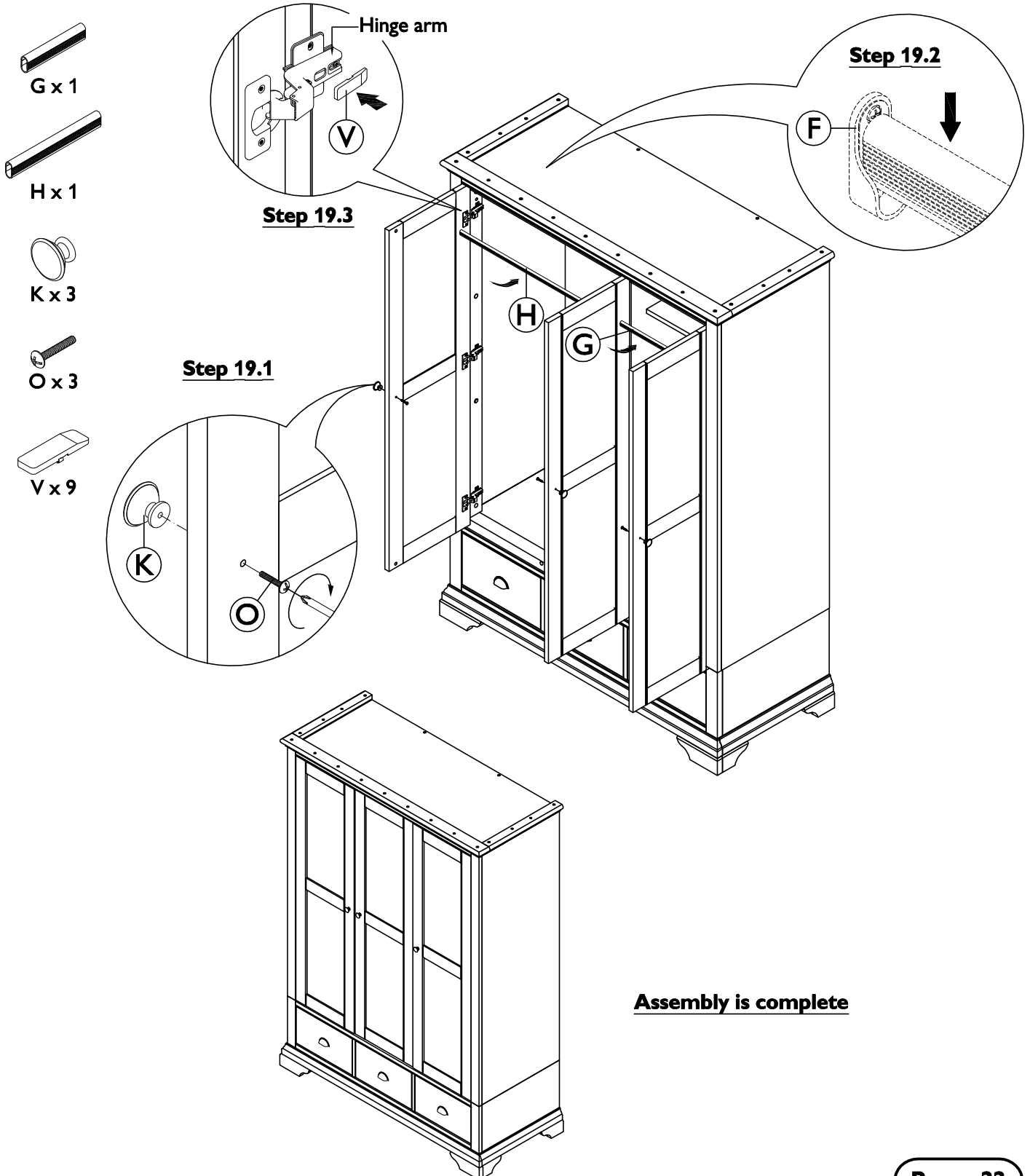
- Step 18** 18.1 : Insert 12x wood shelf supports (J) into the pre-drilled holes on right side panel (3) and partition (4) as shown.
- 18.2 : Tilt adjustable shelves (14) to a suitable angle as shown in the picture so as to slide them in.
- 18.3 : Slide adjustable shelves (14) into the unit. Ensure the holes on shelves are facing down, then place them onto the pins of wood shelf supports (J) as shown.

Fitting



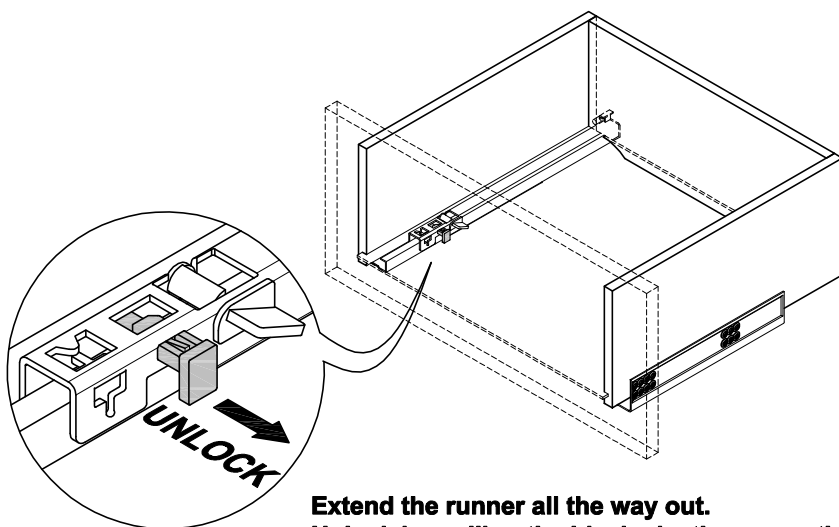
# Step By Step Assembly Instructions

- Step 19** 19.1 : Attach 3x knobs (K) to the front of doors (5) and (6) using 3x round head bolts (O) as shown. Use a screwdriver to turn fittings (O) clockwise to fix.
- 19.2 : Place hanger rails (G) and (H) onto hanger rail supports (F) on side panels and partition of unit as shown.
- Fitting 19.3 : Attach 9x hinge cover caps (V) onto all hinge arms. Push to clip on as shown.

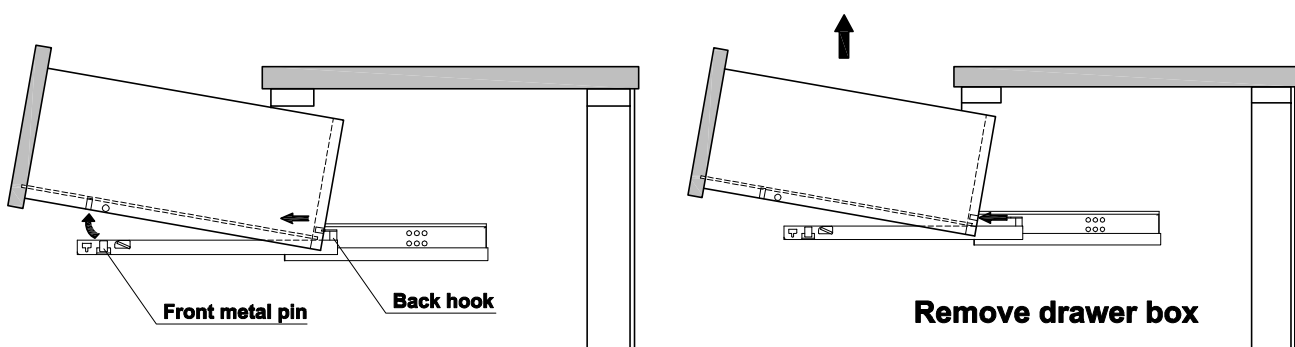


# TANDEM RUNNER ADJUSTMENT INSTRUCTION

## REMOVE

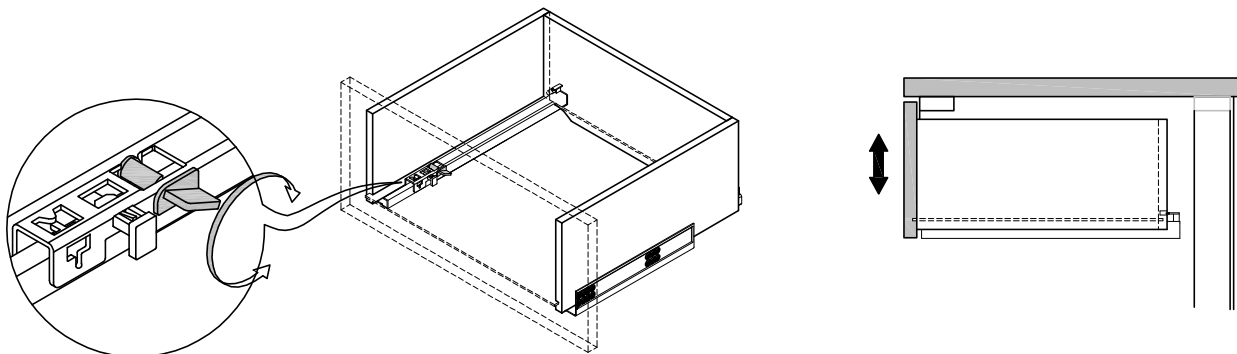


Extend the runner all the way out.  
Unlock by pulling the black plastic peg on the runner out.



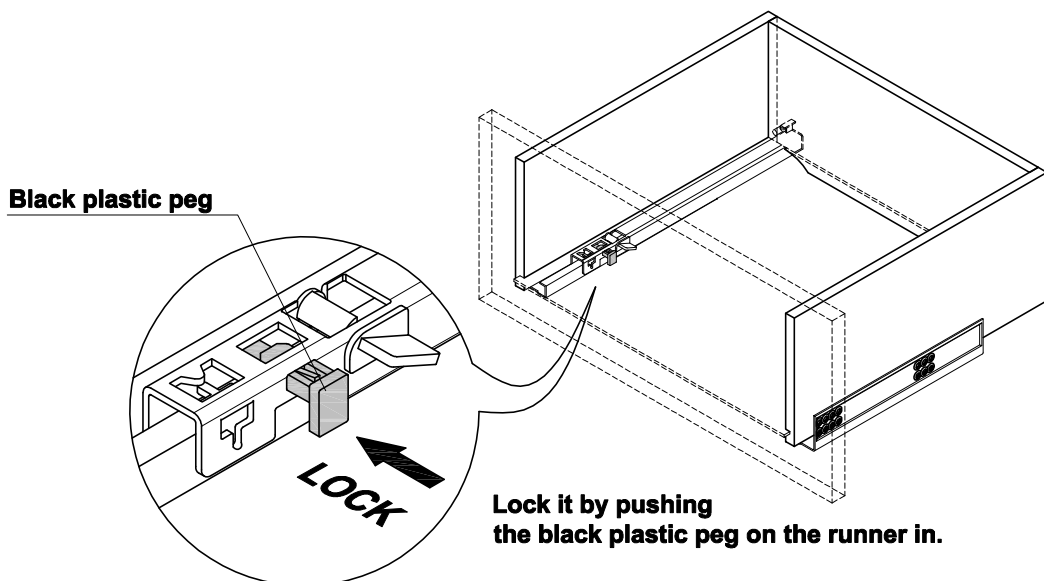
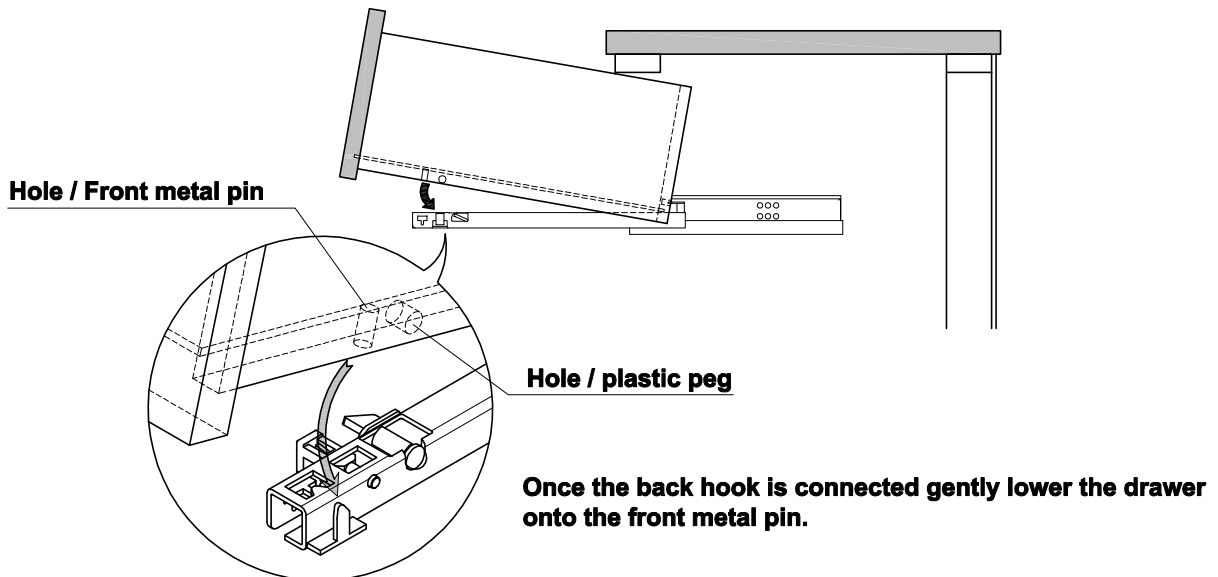
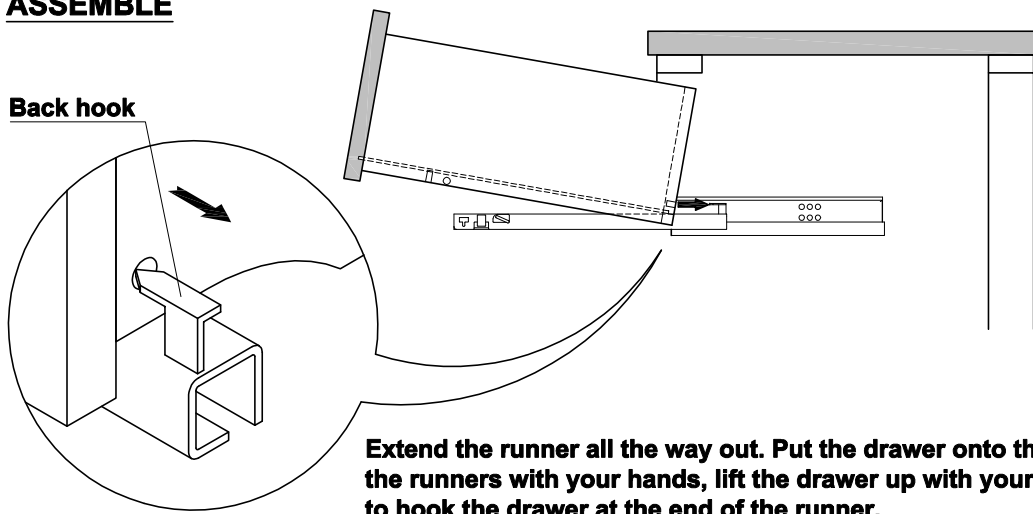
Hold runners with both of your hands.  
Carefully lift the drawer front up from the front metal pin, then slide forward to remove from back hooks.

## VERTICAL ADJUSTMENT ( $\pm 2.5$ mm)



# TANDEM RUNNER ADJUSTMENT INSTRUCTION

## ASSEMBLE





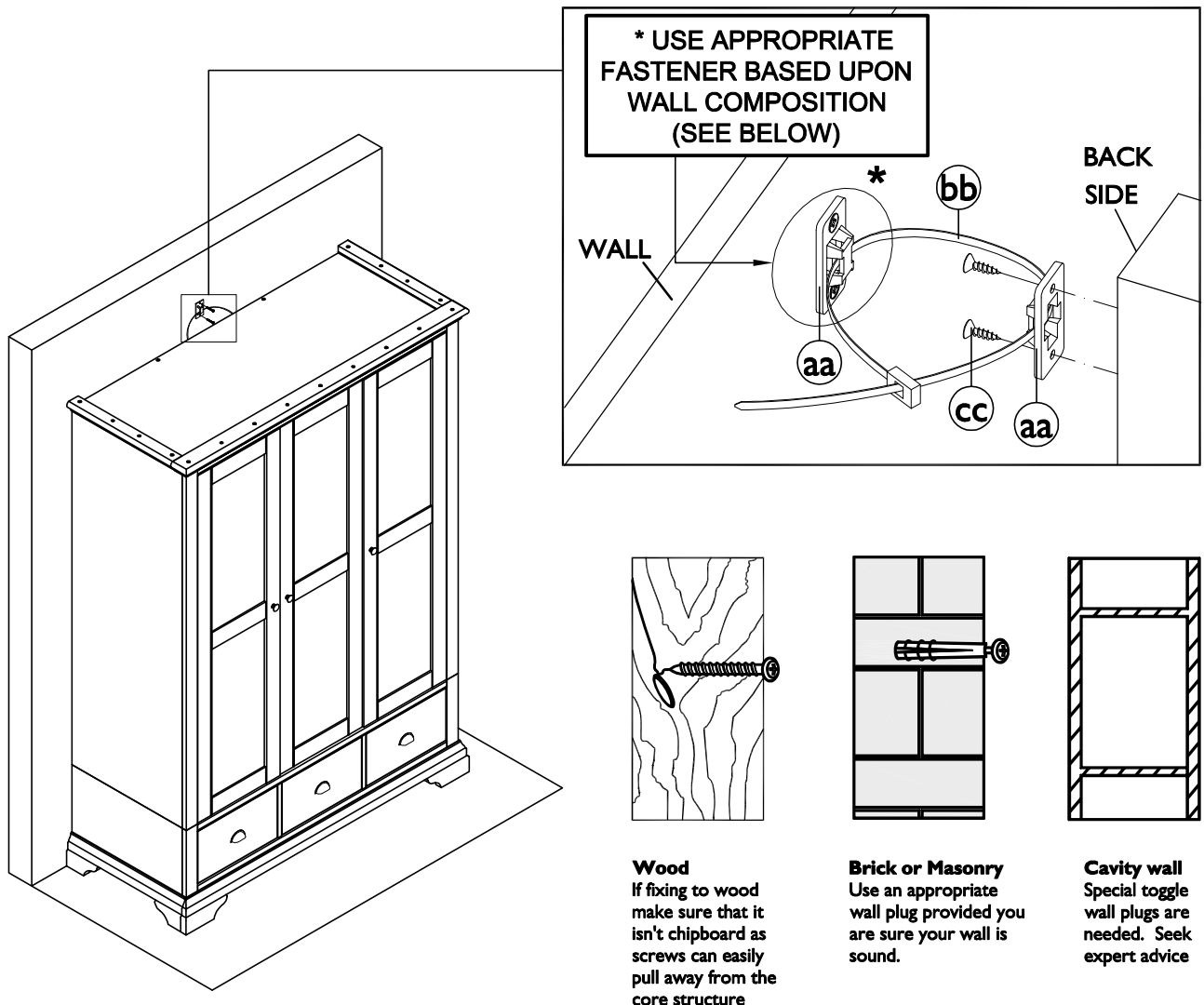
# TIP KIT INSTRUCTIONS

## Notice:

Notice: To prevent injury and property damage from unexpected tipping of furniture, we highly recommend installation of the anti-tip kit included with this product.

### Attaching furniture to wall with anti-tip kits

1. Determine where the piece is to be placed and mark location on the wall for the mounting bracket screw holes. They should be placed approximately 1" below the top on the back of the piece of furniture.
2. Drill the hole and use the appropriate wall plug that is suitable for your walls composition.  
**Warning:** Before drilling check wall for hidden pipes and cables.
3. Attach the mounting bracket vertically to the wall using appropriate fastener, through the holes in the bracket and 2 wall plugs that are suitable to your wall and then tighten securely.
4. Next using the short screws attach the 2nd bracket to the back of the piece of furniture's top.
5. Lace the nylon strap down through the brackets. Slide the thin end of the strap through the receiving end on the nylon strap. Pull to tighten the piece of furniture snug against wall.



## CARE INSTRUCTIONS:

1. Hardware may loosen overtime. Periodically check that all connections are tight and re-tighten as necessary.
2. Wipe with a soft, dry cloth. To protect finish, avoid the use of chemicals and household cleaners.

---

# Care and Maintenance

## Wood Furniture

Wood displays different grain patterns depending on which way they are cut - for example, the 'medullary ray' which can appear on oak furniture is a mark of good quality timber - these are just characteristics of the natural beauty of the wood.

Some furniture is also deliberately aged and rustic.

Wood veneers also allow distinctive patterns to be created on some surfaces, such as table tops and drawer fronts by the way slivers are arranged.

All timber and veneer surfaces will change colour and mellow over time. New furniture will initially vary in shade from items that have been previously purchased.

## How to care for your wood furniture

Dust with a clean, damp, lint free cloth. Frequent dusting will remove abrasive build up, which can damage the finish over time.

Do not use a very wet cloth or allow any liquid to contact with the veneers for a long period of time as this can permanently damage the surface. Wipe up spills immediately.

Do not use any abrasive cleaner or harsh detergent as this can damage the surface of the furniture.

Spray polishes are best avoided as they contain silicones which may spoil the furniture's surface when building up over time.

Make sure all surfaces are protected from heat and liquids by mats and coasters.

Ensure that a mat or pad is placed under paper when you are writing on the furniture surface.

Do not place rubber, cork, vinyl or plastic materials on the wood finish as chemicals within may react with the finish if left in contact for an extended period of time.

Our furniture will endure most temperatures in the home but it is best to avoid placing furniture next to heat sources such as radiators or fires. Be particularly careful with solid wood as the lack of humidity caused by home heating can cause damage such as warping, cracking or splitting.

Excessive exposure to sunlight can cause fading of your furniture.

Avoid exposing your furniture to any liquids. All liquids should be wiped up immediately with a soft, slightly damp cloth in the direction of the wood grain. If sticky liquid residues do occur, they may be removed with a dilute solution of warm soapy water followed by a clean, damp sponge. The area should then be wiped immediately in the direction of the wood grain with a clean, soft white cloth until completely dry.

Nail polish remover, hairspray, perfume, potpourri & any other products that contains solvents can damage wood upholstery finishes.

## Safety Instructions:

Never drag furniture when moving it. Always lift it.

Periodically check all fixings to ensure none have come loose. Re-tighten when necessary.

Please take care when handling or moving the furniture as careless handling may cause damage or injury.

Furniture can be dangerous if incorrectly assembled. Assembly should be carried out by a competent person.

No liability will be accepted for damage or injury caused by incorrectly installed or assembled furniture.

## Heavy item warning:

It is recommended to seek assistance when moving a heavy object. Take care when lifting to avoid personal injury and (or) damage to the product.

It is recommended that before moving a heavy object to a new location it is completely dis-assembled to avoid personal injury or damage to the furniture. Please be careful to retain all fittings when doing this.

**PLEASE KEEP THESE INSTRUCTIONS FOR FUTURE REFERENCE**